

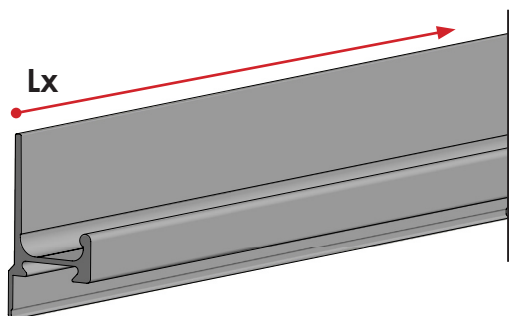
RINCOMATIC SYMA32 INTEGRATED TOTAL

SALES FORMAT:
IN PARTS - DIY



How to build the product part number and what specifications to take into consideration

Syma32 Profile Handle



Part number:

TTIRSY32 **XX** mm P

XX color code
35 silver matt
50 matt inox champagne
60 anthracite
52M matt black
01M matt white

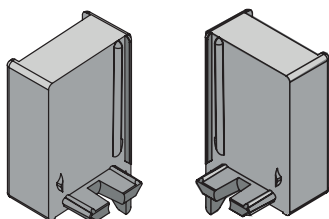
mm Handle length

L1: 2950 mm

L2: 2670 mm

20 u.

Pair of caps SYMA32 Integrated-Total (Interior LEFT + Interior RIGHT)



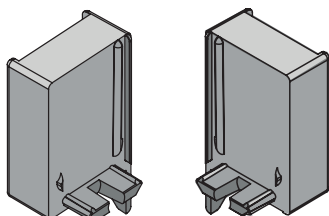
Part number:

BTERSY32CC **XX**

XX color code
35 silver matt
50 matt inox champagne
60 anthracite
52M matt black
01M matt white

25 u.

Pair of caps SYMA32 Integrated-Total (Interior LEFT + Interior RIGHT)



Part number:

PTERSY32CC **XX**

XX color code
35 silver matt
50 matt inox champagne
60 anthracite
52M matt black
01M matt white

100 u.