

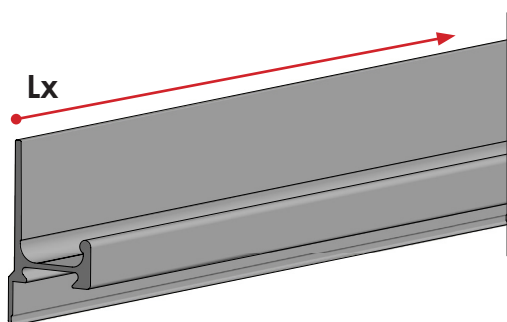
RINCOMATIC SYMA32 INTEGRATED PARTIAL

SALES FORMAT:
IN PARTS - DIY



How to build the product part number and what specifications to take into consideration

Syma32 Profile Handle



Part number:

TTIRSY32 **XX** mm P

XX color code

- 35 matt silver
- 50 matt inox champagne
- 60 anthracite
- 52M matt black
- 01M matt white

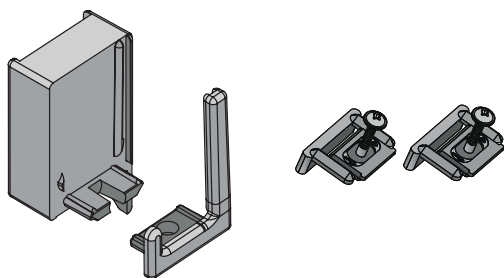
mm Handle length

L1: 2950 mm

L2: 2670 mm

20 u.

Set of caps SYMA32 Integrated-Partial LEFT (Interior LEFT + Exterior + 2Clips + 2 screws)



Part number:

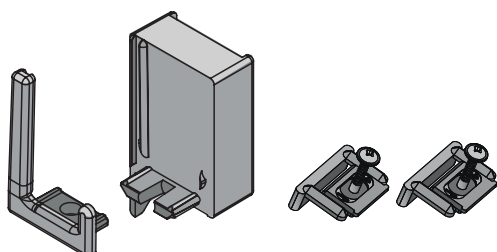
BTERSY32CL **XX**

XX color code

- 35 matt silver
- 50 matt inox champagne
- 60 anthracite
- 52M matt black
- 01M matt white

25 u.

Set of caps SYMA32 Integrated-Partial RIGHT (Exterior + Interior RIGHT + 2Clips + 2 screws)



Part number:

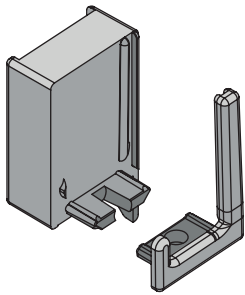
BTERSY32CR **XX**

XX color code

- 35 matt silver
- 50 matt inox champagne
- 60 anthracite
- 52M matt black
- 01M matt white

25 u.

**Pair of caps SYMA32 Integrated-Partial
LEFT (Exterior + Interior LEFT)**



Part number:

PTERSY32CL XX

XX color code

35 matt silver

50 matt inox champagne

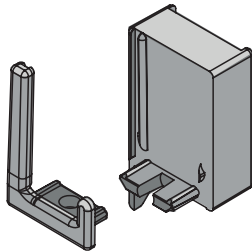
60 anthracite

52M matt black

01M matt white

 50 u.

**Pair of caps SYMA32 Integrated-Partial
RIGHT (Exterior + Interior RIGHT)**



Part number:

PTERSY32CR XX

XX color code

35 matt silver

50 matt inox champagne

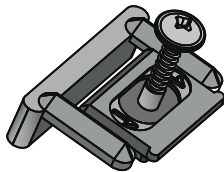
60 anthracite

52M matt black

01M matt white

 50 u.

Clip SYMA 90° + screw



Part number:

CLIPSYMAR

 200 u.