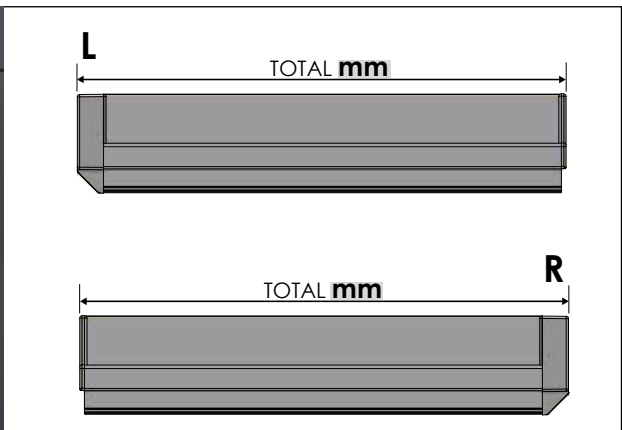




# Rincomatic SYMA32 INTEGRATED PARTIAL

SALES FORMAT:  
CUSTOM-FITTED



 How to build the product part number and what specifications to take into consideration

Part number: **TIRSY32 # XX mm**

#	CL = Left Handle CR = Right Handle						
XX color code:	<table border="0"> <tr> <td>35 matt silver</td> <td>52M matt black</td> </tr> <tr> <td>50 matt inox champagne</td> <td>01M matt white</td> </tr> <tr> <td>60 anthracite</td> <td></td> </tr> </table>	35 matt silver	52M matt black	50 matt inox champagne	01M matt white	60 anthracite	
35 matt silver	52M matt black						
50 matt inox champagne	01M matt white						
60 anthracite							
mm	Handle length						
 20 u.							

**EXAMPLE 1: Left Handle**  
**TIRSY32CL35300**  
 Rincomatic Syma32 Integrated Partial Handle  
 LEFT matt silver - 300 mm



**EXAMPLE 2: Right Handle**  
**TIRSY32CR50450**  
 Rincomatic Syma32 Integrated Partial Handle  
 RIGHT Matt Inox Champagne - 450 mm



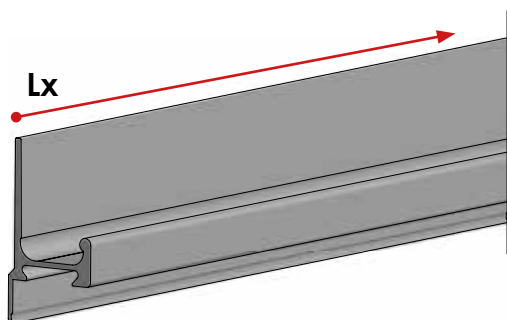
# RINCOMATIC SYMA32 INTEGRATED PARTIAL

SALES FORMAT:  
IN PARTS - DIY



How to build the product part number and what specifications to take into consideration

## Syma32 Profile Handle



Part number:

TTIRSY32 **XX** mm P

**XX** color code  
**35** matt silver  
**50** matt inox champagne  
**60** anthracite  
**52M** matt black  
**01M** matt white

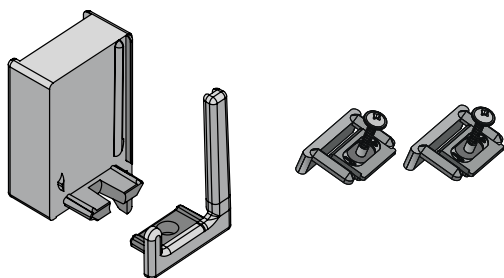
**mm** Handle length

**L1:** 2950 mm

**L2:** 2670 mm

20 u.

## Set of caps SYMA32 Integrated-Partial LEFT (Interior LEFT + Exterior + 2Clips + 2 screws)



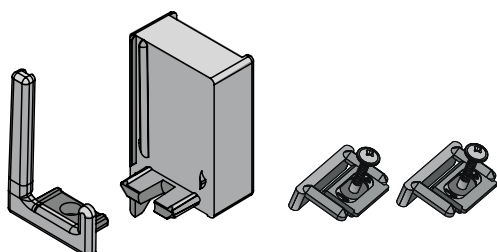
Part number:

BTERSY32CL **XX**

**XX** color code  
**35** matt silver  
**50** matt inox champagne  
**60** anthracite  
**52M** matt black  
**01M** matt white

25 u.

## Set of caps SYMA32 Integrated-Partial RIGHT (Exterior + Interior RIGHT + 2Clips + 2 screws)



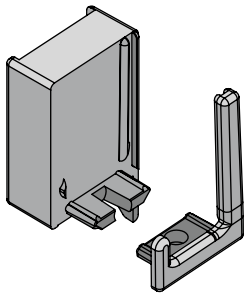
Part number:

BTERSY32CR **XX**

**XX** color code  
**35** matt silver  
**50** matt inox champagne  
**60** anthracite  
**52M** matt black  
**01M** matt white

25 u.

**Pair of caps SYMA32 Integrated-Partial  
LEFT (Exterior + Interior LEFT)**



Part number:

**PTERSY32CL XX**

**XX** color code


**35** matt silver

**50** matt inox champagne

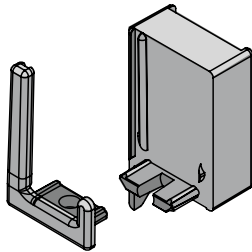
**60** anthracite

**52M** matt black

**01M** matt white

 50 u.

**Pair of caps SYMA32 Integrated-Partial  
RIGHT (Exterior + Interior RIGHT)**



Part number:

**PTERSY32CR XX**

**XX** color code

**35** matt silver

**50** matt inox champagne

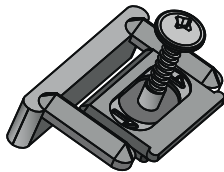
**60** anthracite

**52M** matt black

**01M** matt white

 50 u.

**Clip SYMA 90° + screw**



Part number:

**CLIPSYMAR**

 200 u.