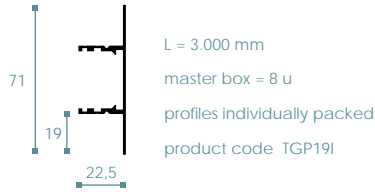


Components

Upper-Side flat gola profile



Intermediate flat gola profile



19 mm

Clip-gola fixing & balancing



18 mm

Spacer clip-gola 1 mm



16 mm

Spacer clip-gola 3 mm



Finishes



matt silver **35**



matt inox - champagne **50**

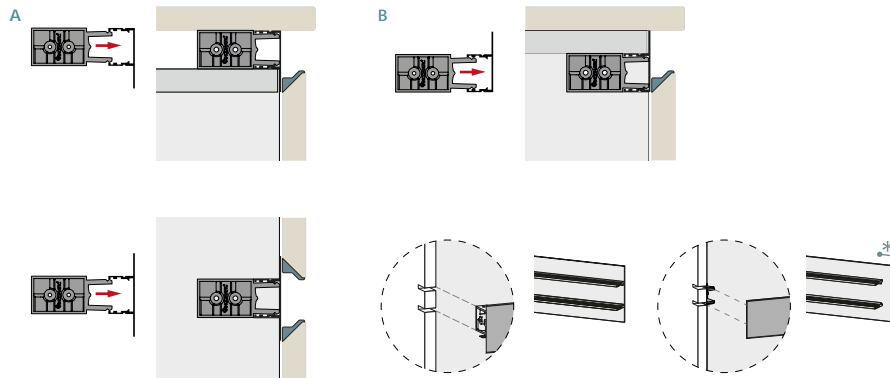
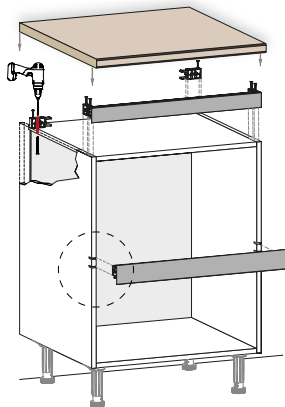


matt black - anodized **52M**

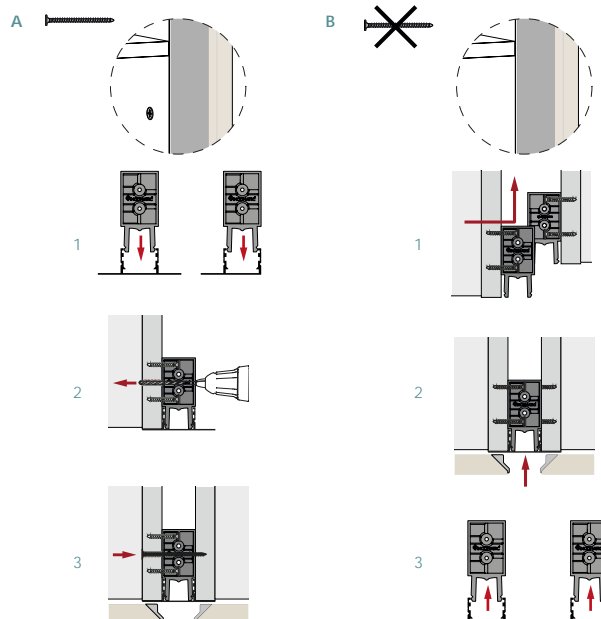
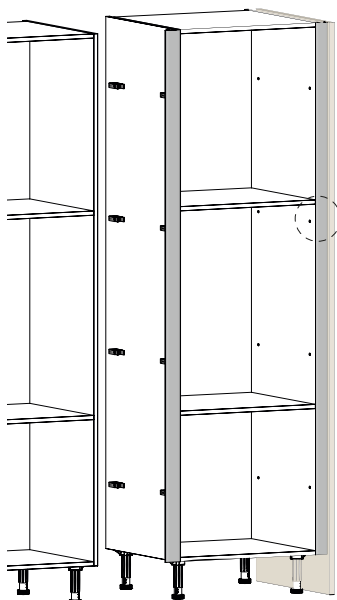


gloss white **01**
matt white **01M**

Horizontal installation: upper and intermediate



Vertical installation: side and intermediate



Accessories

- connector plate
- internal-external 90° angle
- external 90° corner
- corner profile
- fixing angles set
- vent grille set - induction gola
- vent grille set - induction universal
- custom-fitted intermediate profile
- others...

made in spain